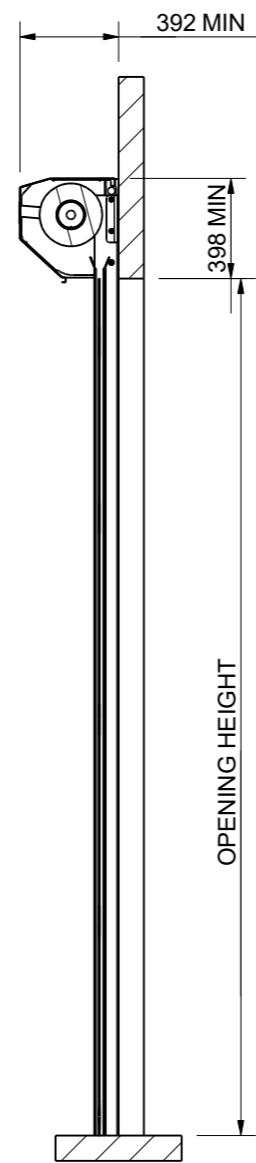
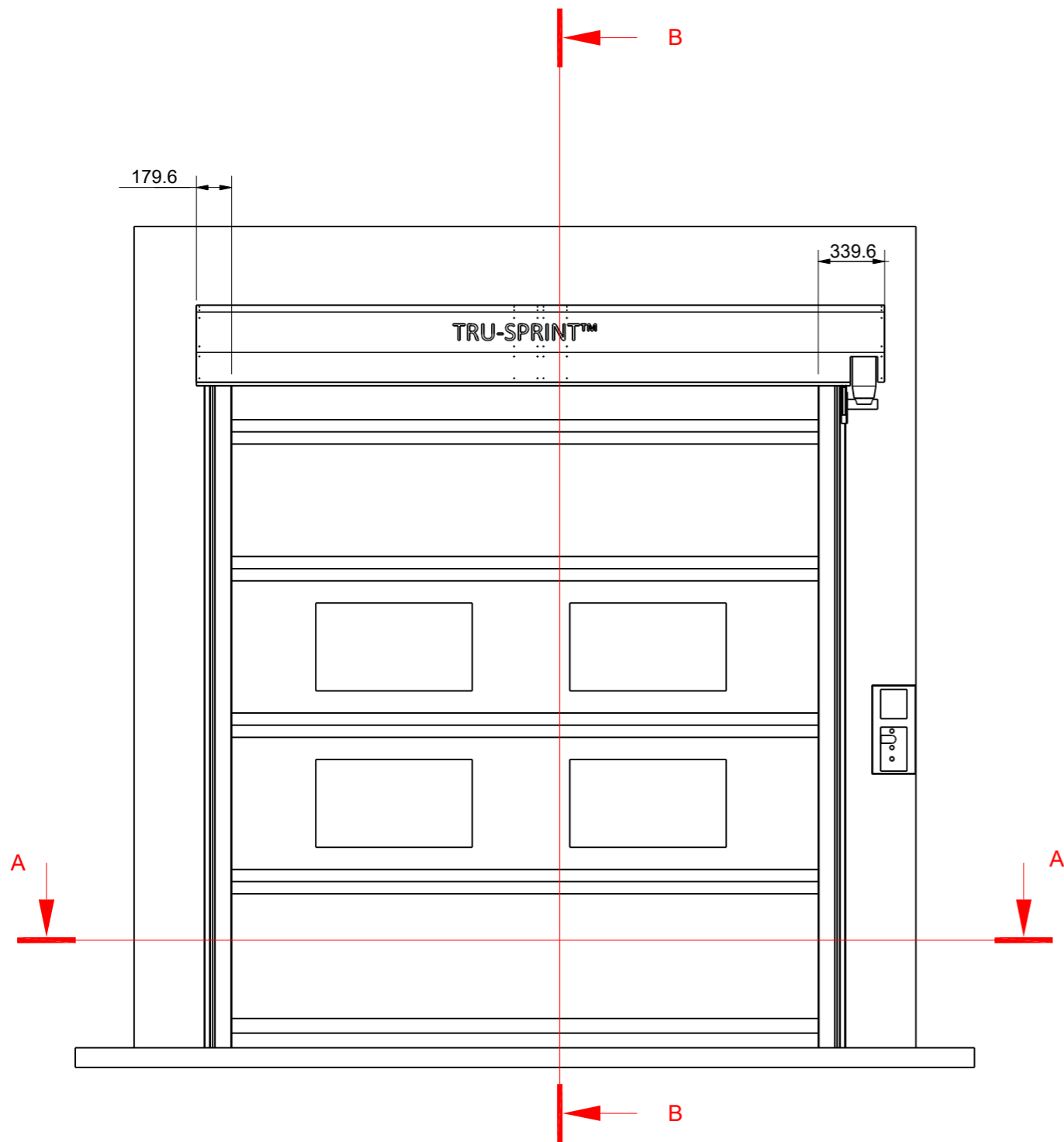
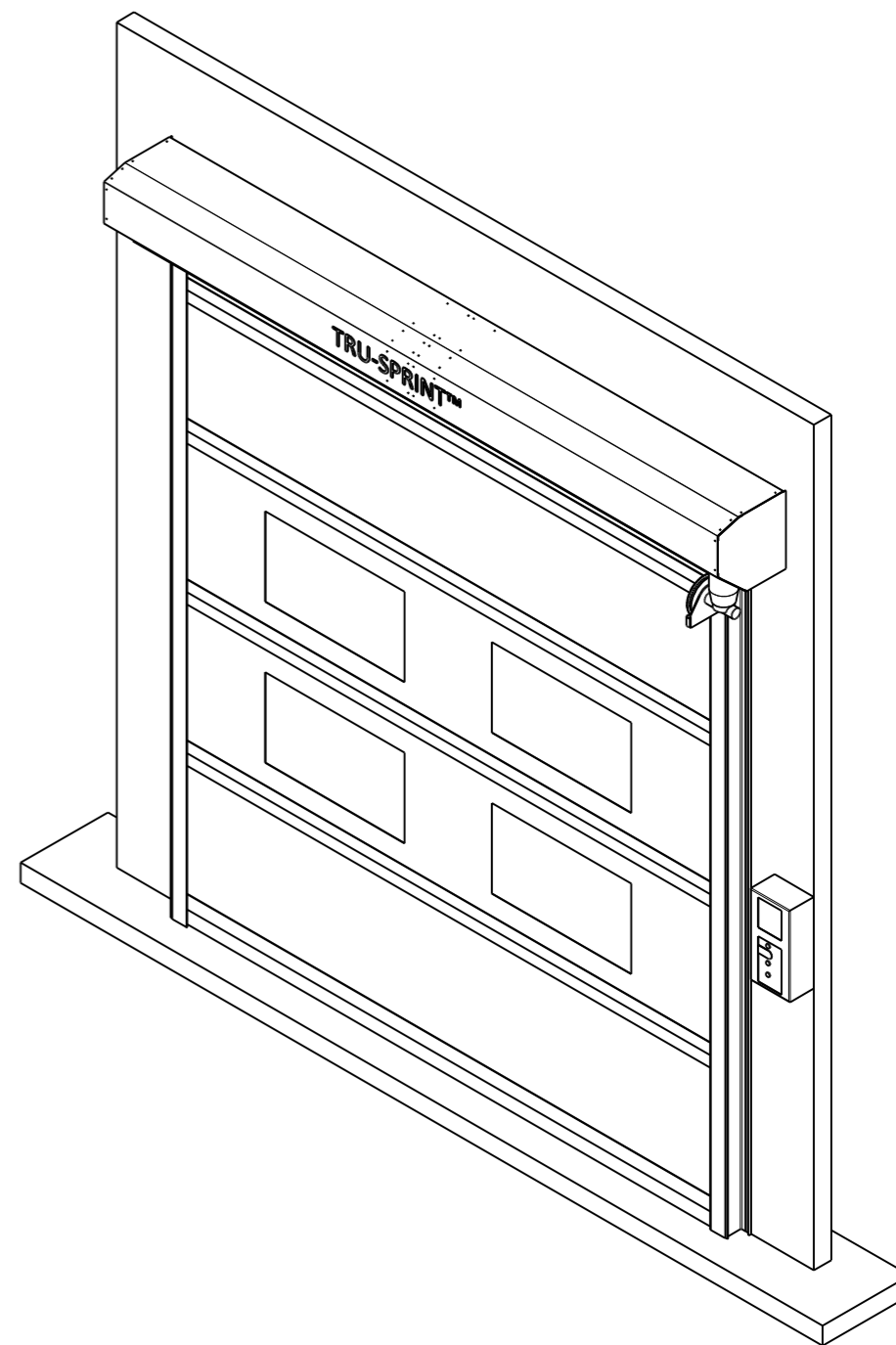


Section A-A



Section B-B



REV	CHANGE	DATE	BY

GENERAL ARRANGEMENT					
RAPID DOOR TRU-SPRINT - PACER SERIES 2					
MATERIAL - FINISH		CODE No.	SCALE	DRG No.	REV
			L.Y	10/06/24	
			APPVD.	PACER GENERAL	A