

Tru-Strip™

PVC Strip Curtains



Description

TRU-STRIP™ PVC Strip Curtain

Product Information

Restrict temperature loss, reduce noise and save money with TRU-STRIP™ Strip Curtains. TRU-STRIP™ curtains use thermally resistant, heavy-duty PVC to minimize temperature loss or gain, and control air movement at freezer and coolstore entry and exit points. The system is also proven to inhibit airborne pollutants such as dust and fumes, while lowering noise levels by up to 35db. TRU-STRIP™ curtains come as a pre-cut kitset with all necessary fastenings – simple and easy to install. TRU-STRIP™ safety marker strips are standard features on 200 and 300mm curtains to reduce forklift damage to door openings.

Technical Specification

- Temperature Range: Std Temp +50°C to 0°C, Low Temp 0°C to -40°C
- Aluminium Header Track with optional Hygiene Covers
- Stainless Steel fixings for corrosion resistance
- Highly visible red marker strips to help protect doorways
- Supplied as a kitset for ease of delivery to your site
- Free of toxic plasticisers such as DOP and DEHP

PVC Options

Standard Temp PVC (+50°C to 0°C)

Code	Temp	Style	Roll	Weight	Usage
100x2SF	Standard	Flat	50m	Light Duty	Pedestrian use and fragile goods
150x2SF	Standard	Flat	50m	Light Duty	Taller pedestrian openings
200x2SF	Standard	Flat	50m	Medium Duty	Dividing curtains and openings up to 2.5H
200x2SR	Standard	Ribbed	50m	Medium Duty	Openings up to 2.5H used with fork truck
300x3SF	Standard	Flat	50m	Heavy Duty	Large openings with no fork truck usage
300x3SR	Standard	Ribbed	50m	Heavy Duty	Where fork trucks are used a lot
400x4SF	Standard	Flat	25m	Extra Heavy Duty	Large external curtains and tall openings

Low Temp PVC (0°C to -40°C)

Code	Temp	Style	Roll	Weight	Usage
200x2LF	Low	Flat	50m	Medium Duty	Pedestrian freezer doors
200x2LR	Low	Ribbed	50m	Medium Duty	Small freezer doors with trolleys
300x3LF	Low	Flat	50m	Heavy Duty	In freezer where fork trucks not used
300x3LR	Low	Ribbed	50m	Heavy Duty	In freezer with fork trucks

Low Temp PVC (0°C to -40°C)

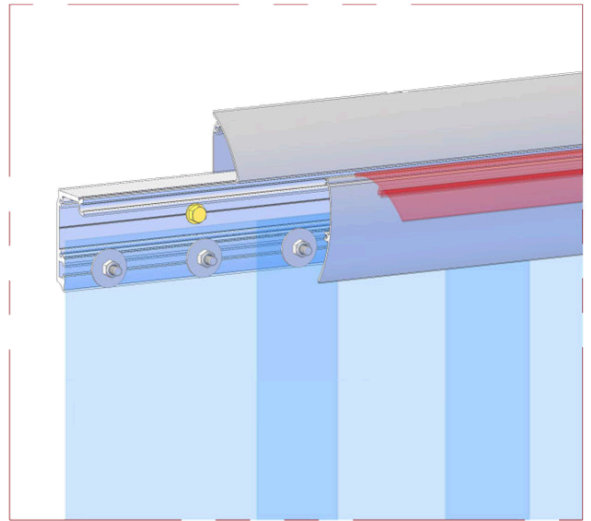
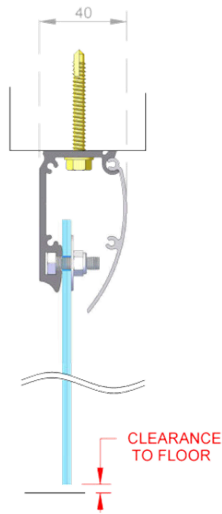
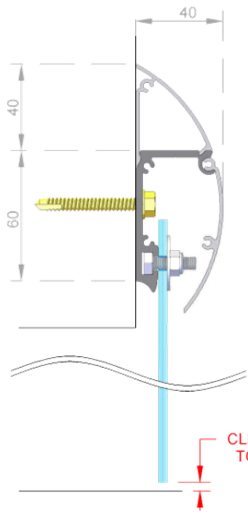
Code	Temp	Style	Colour	Roll	Weight	Usage
100x2GF	Standard	Flat	Grey	50m	Light Duty	Privacy curtains, conveyor curtains, door seals
200x2RF	Standard	Flat	Red	50m	Medium Duty	Marker Strips and welding curtains
300x3RF	Standard	Flat	Red	50m	Heavy Duty	Marker Strips and Welding curtains

Header Track Options

Face/Wall Mount

Head/Ceiling Mount

Hygiene Covers



TRU-STRIP™ Projects

