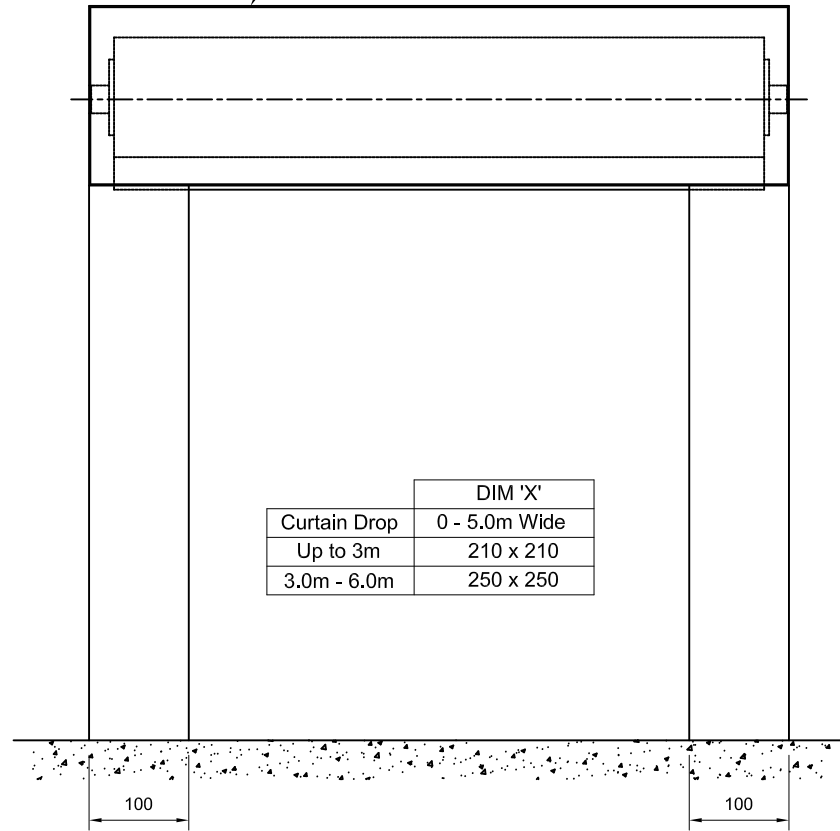
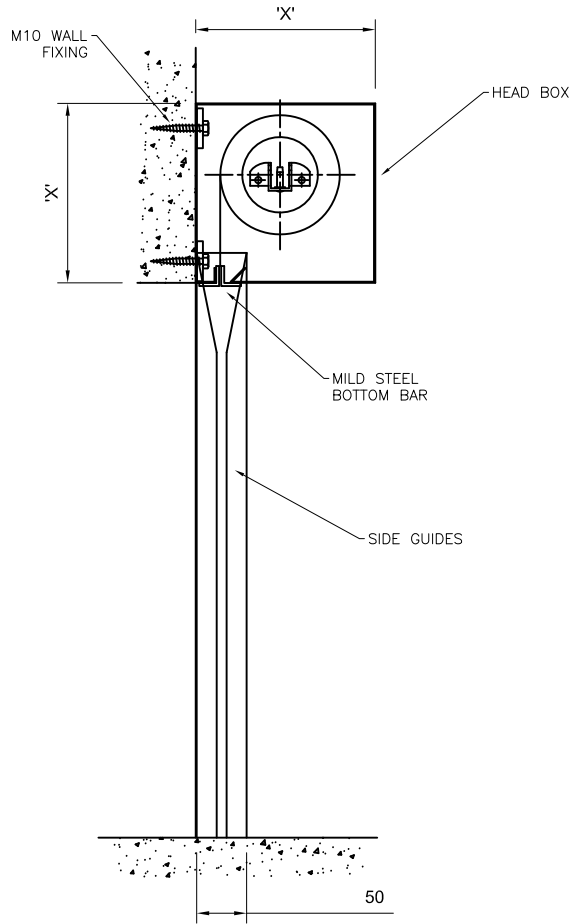
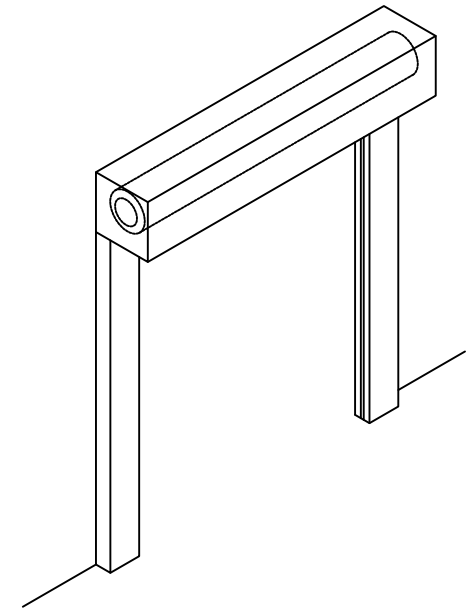


HEADBOX FIXED DIRECTLY TO WALL OR OVERHEAD STRUCTURE 100mm FROM ENDS 100mm FROM ANY SUBSEQUENT BRACKETS IN HEADBOX AND @ MAX 700mm CENTRES M10 FIXINGS WITH 40x40 GALV SQUARE WASHER THROUGH Ø12mm HOLES



	DIM 'X'
Curtain Drop	0 - 5.0m Wide
Up to 3m	210 x 210
3.0m - 6.0m	250 x 250



SECTION THROUGH HEAD BOX

FC2-S FIRE CURTAIN  
GENERAL ARRANGEMENT SINGLE CURTAIN - UP TO 5m WIDE



C		MATERIAL - FINISH	CODE No.	SCALE	:	DRG No.	ISS.
B				DRAWN	PPB	06.09.21	
ISS.	DATE	BY		APPVD.			

BLE FC2-S A